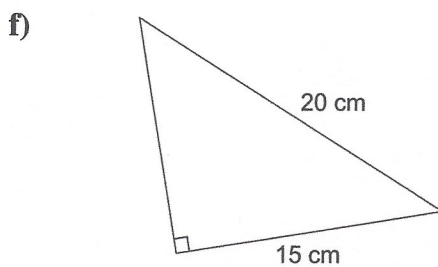
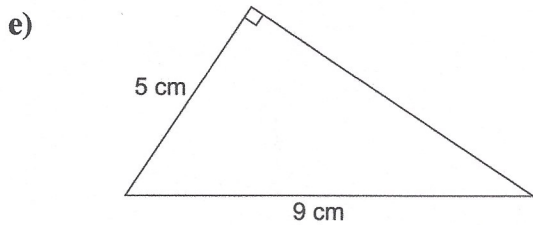
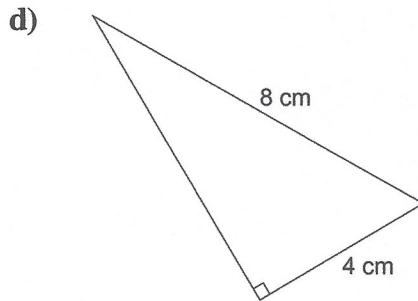
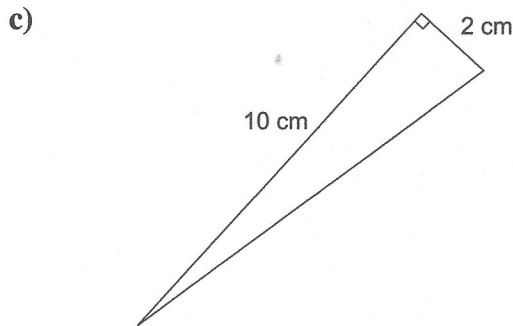
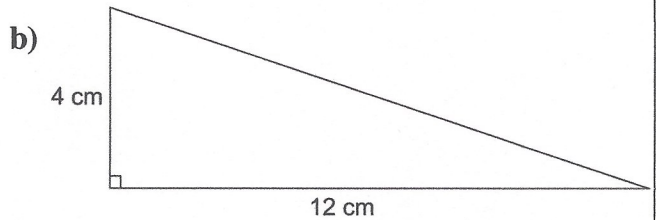
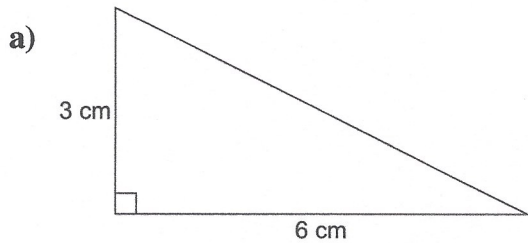


Master 1.28

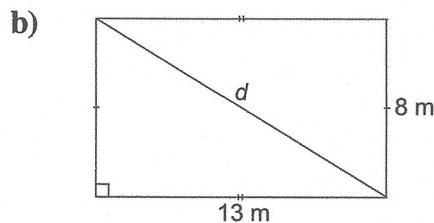
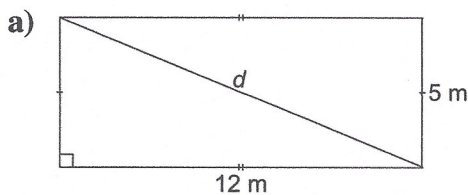
Extra Practice 5

Lesson 1.5: The Pythagorean Theorem

1. Find the length of the unmarked side in each right triangle. Give your answers to one decimal place.



2. Find the length of the diagonal, d , in each rectangle. Give your answers to two decimal places where needed.



3. On grid paper, draw a line segment with each length. Explain how you did it.

- a) $\sqrt{20}$ cm b) $\sqrt{34}$ cm c) $\sqrt{40}$ cm
 d) $\sqrt{26}$ cm e) $\sqrt{37}$ cm f) $\sqrt{29}$ cm