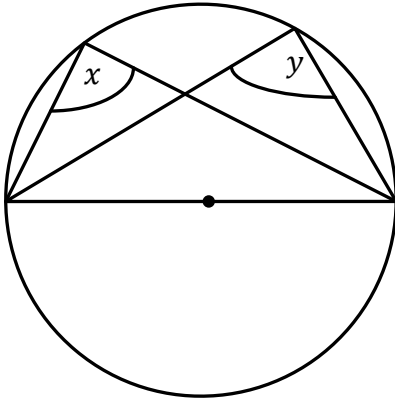


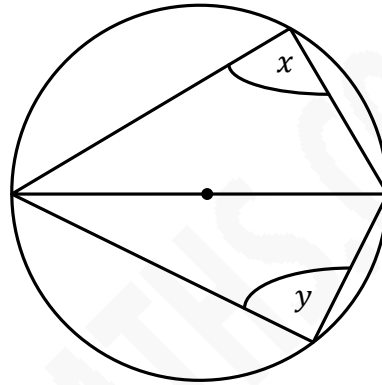
Circle geometry – Angle in a semi circle = 90°

Find the missing angles and give reasons for your answers

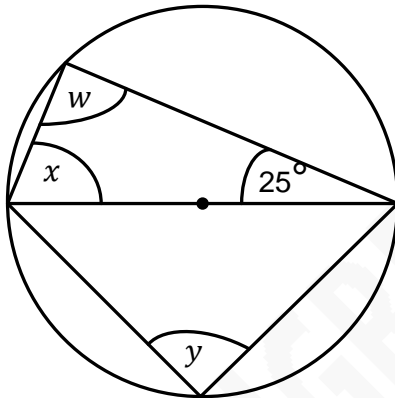
Q1



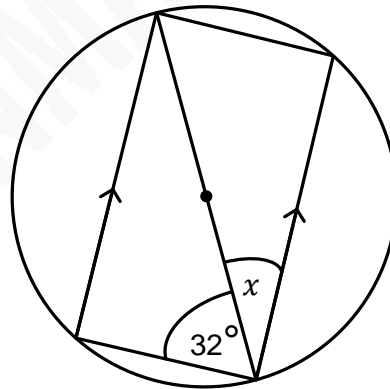
Q2



Q3



Q4



Exam Style Question

Q5

Given that angle $OAB = 15^\circ$

Calculate

- Angle OAC
- Angle AOB

