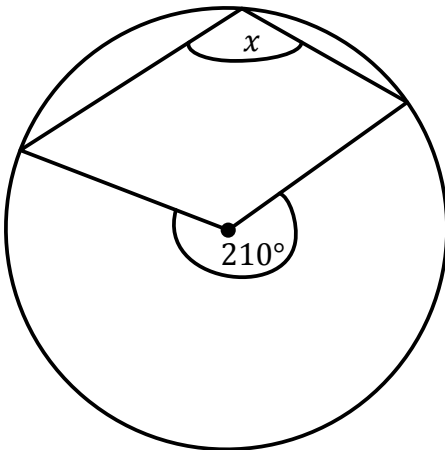


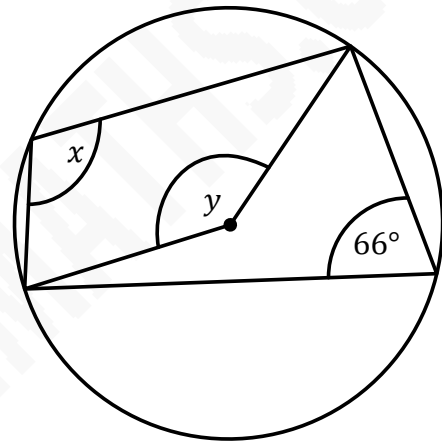
Circle geometry – Angle at centre twice angle at circumference Part 2

Find the missing angles and give reasons for your answers.
Note - Q4 uses more than one rule to find the angle

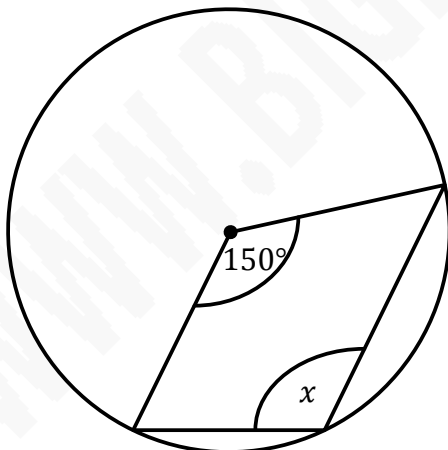
Q1



Q2



Q3



Q4

